

SP 2 SLUSH AND COLD CREAM DISPENSER

SP2NB



Ref562486 (SP2NB)

SP2 Granita, (2) 1.3 gallon (5 L) bowls, black finish - Refrigerant R449A

General Features

SP2 Granita, (2) 1.3 gallon (5 L) capacity, 2.6 gallon (10 L) total capacity, black finish - Refrigerant R449A. One compact countertop machine creates both chilled beverages like frozen cocktails, slushies, milkshakes and other frozen drinks. Functions with

both water and milk bases or with ready-to-use product to create delicious chilled treats. Easy to clean and user-friendly,

this is the perfect solution for restaurants, cafeterias, coffee shops, bars and hotels. The patented Hybrid Texture Control maintains the product temperature from full bowl to empty ensuring the consistency of the product from first to last serving.

CRATHCO

SP 2 SLUSH AND COLD CREAM DISPENSER

Specifications

- Safety stop system.
- Hybrid control of consistency: to ensure the same consistency of the product, from the first to the last drop dispensed.
- Temperature control also in “defrost” mode: thus avoiding sudden fluctuations that would degrade the product and compromise the final result.
- Dispenser for frozen cocktails, slushies, milkshakes and other frozen drinks

Construction

- The patented I-Tank insulated bowl reduces the impact of ambient temperature on the product, improving its cooling efficiency and guaranteeing energy and cost savings.
- Optional Autofill Lid System available: for the automatic filling of the tanks
- Versatile slush machine with three (3) 2.9 gallon/11L I-Tank insulated bowls
- Bowls work independently, allowing operations to dispense different product at the same time, including: slushies, milkshakes, cold drinks and/or frozen cocktails
- n. I-Tank insulated bowls containing (2) 1.3 gallon/5 L capacity, 2.6 gallon/10 L total capacity of finished product
- Easy-to-use adjustment for product viscosity

SP 2 SLUSH AND COLD CREAM DISPENSER

Electric

Supply voltage:	115 V / 1 ph / 60 Hz
Electrical power max.:	0.8 kW
Current consumption:	9.3 Amps
Plug type:	USA NEMA 5-15P

Key Information:

Number of bowls:	2
Bowl's capacity:	1.3 gal
Control board:	Mechanical
Dimensions, Width:	17 5/8"
Dimensions, Depth:	17 3/8"
Dimensions, Height:	24 1/8"
Net weight:	106 lb
Cooling system:	AIR

Refrigeration Data

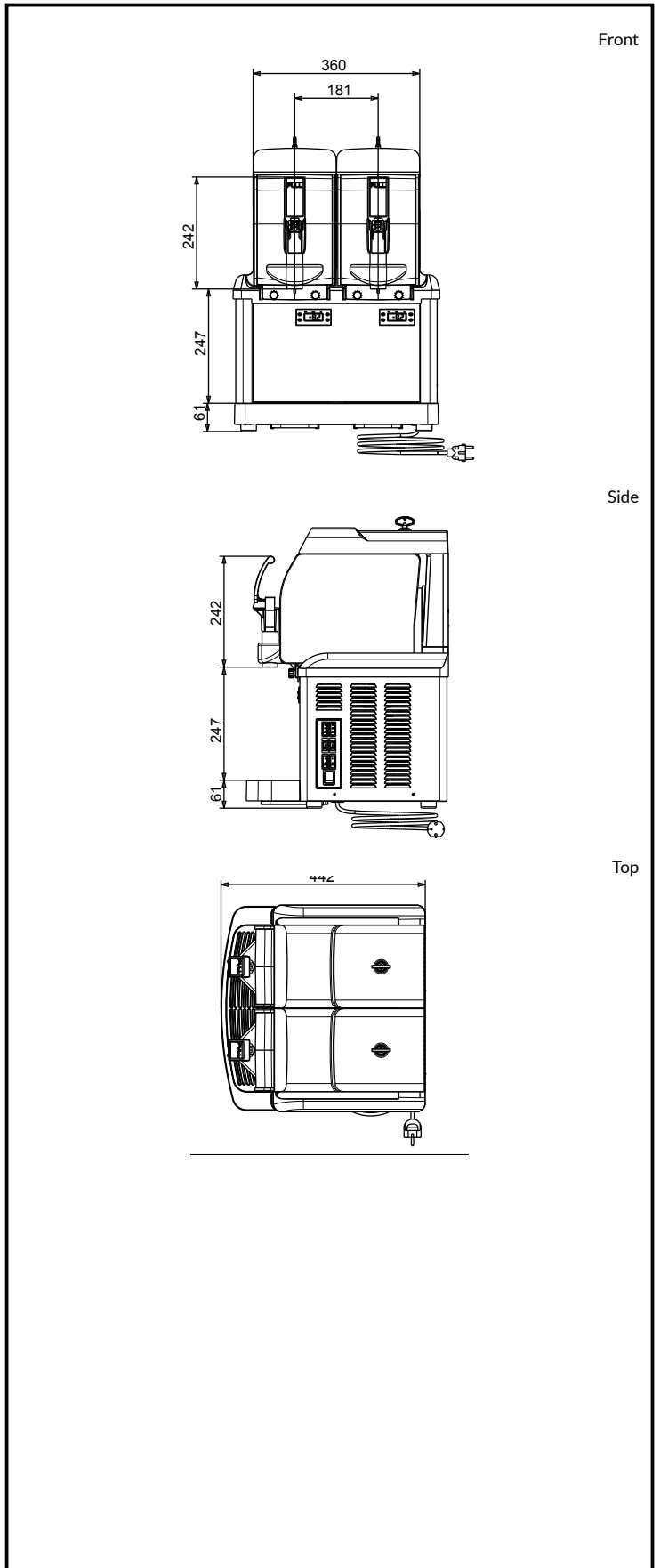
Refrigerant gas:	R449a
------------------	-------

Certifications



The company reserves the right to make modifications to the products without prior notice. All information correct at time of printing.

2024.10.08



CRATHCO

www.crathco.drink-systems.com
infocrathco@electroluxprofessional.com